

DOUBLE WINDOW SIGHT GLASSES DW40

DESCRIPTION

The ADCA DW40 is a series of double window sight glasses specially designed for installation downstream of steam traps, to monitor their performance such as checking for live steam leakage or blockage. Such devices can also be used for monitoring flow conditions in other applications, particularly in pipelines with liquid medium.

MAIN FEATURES

Compact.
Double window design.
Borosilicate glass.

OPTIONS: Mica shield discs for use with steam.

USE: Condensate lines and others.

AVAILABLE MODELS: DW40S – carbon steel.
DW40SS – stainless steel.

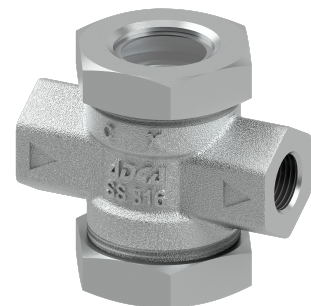
SIZES: 1/2" to 2"; DN 15 to DN 50.

CONNECTIONS: Female threaded ISO 7 Rp or NPT.
Flanged EN 1092-1 PN 40.
Flanged ASME B16.5 Class 150 or 300.

INSTALLATION: Horizontal or vertical installation.
See IMI – Installation and maintenance instructions.



DW40S
1/2" to 1"



DW40SS
1/2" to 1"



DW40S and DW40SS
1 1/4" to 2"

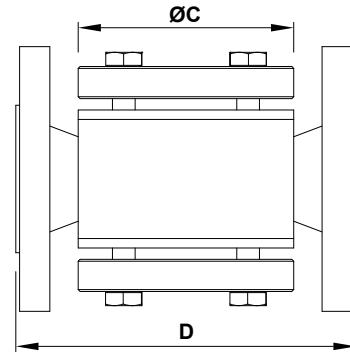
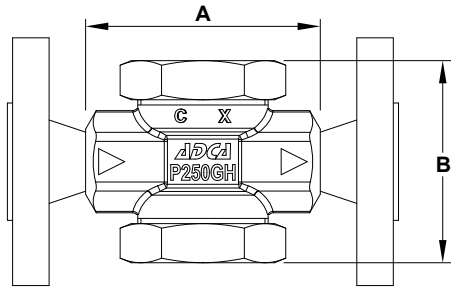
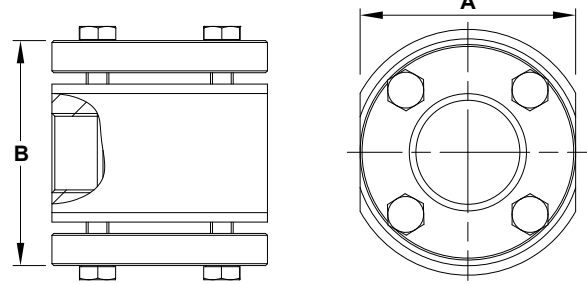
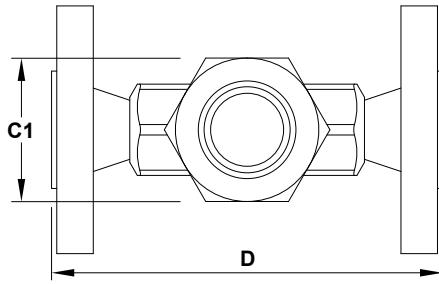
CE MARKING – GROUP 2 (PED – EUROPEAN DIRECTIVE)			
PN 40 / CLASS 300	PN 25	CLASS 150	CATEGORY
1/2" to 1" DN 15 to 25	1 1/4" to 1 1/2" DN 32 to 40	1/2" to 2"	SEP
–	2" – DN 50	–	1 (CE Marked)

BODY LIMITING CONDITIONS								
DW40S				DW40SS				
PN 40 / CLASS 300 *	PN 25 *	CLASS 150 **	RELATED TEMP.	FLANGED CLASS 150 **	FLANGED PN 25 *	FLANGED CLASS 300 **	FLANGED PN 40 *	RELATED TEMP.
ALLOWABLE PRESSURE	ALLOWABLE PRESSURE	ALLOWABLE PRESSURE		ALLOWABLE PRESSURE	ALLOWABLE PRESSURE	ALLOWABLE PRESSURE	ALLOWABLE PRESSURE	
40 bar	25 bar	19,3 bar	-10 / 50 °C	15,3 bar	25 bar	39,9 bar	40 bar	-10 / 50 °C
37,1 bar	23,2 bar	17,7 bar	100 °C	13,3 bar	23,6 bar	34,4 bar	37,9 bar	100 °C
35,2 bar	22 bar	15,8 bar	150 °C	12 bar	21,5 bar	31,3 bar	34,4 bar	150 °C
33,3 bar	20,8 bar	14 bar	200 °C	11,1 bar	19,8 bar	28,8 bar	31,8 bar	200 °C
28,7 bar	17,9 bar	11,7 bar	280 °C	10,2 bar	18,6 bar	26,6 bar	29,9 bar	250 °C

* According to EN 1092-1:2018; ** According to EN 1759-1:2004.

Remarks: For applications with steam, use mica shield discs.

Rating PN 40 for sizes up to DN 25; Rating PN 25 for sizes from DN 32 to DN 50; Rating PN 40 or lower for threaded versions.

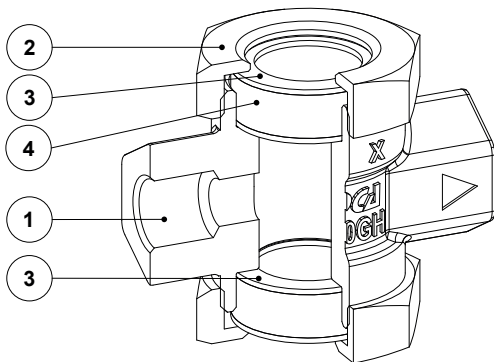


1/2" to 1" – DN 15 to 25

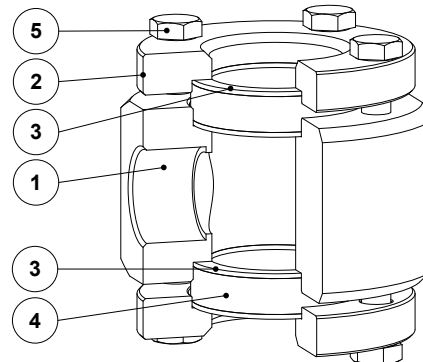
1 1/4" to 2" – DN 32 to 50

DIMENSIONS (mm)

SIZE	THREADED					PN 40		CLASS 150		CLASS 300	
	A	B	ØC	C1	WGT. (kg)	D	WGT. (kg)	D	WGT. (kg)	D	WGT. (kg)
1/2" – DN 15	90	80	–	55	1	150	2,8	150	2,2	150	2,6
3/4" – DN 20	90	80	–	55	1	150	3,2	150	2,6	150	3,5
1" – DN 25	100	87	–	55	1,2	160	3,7	160	3,3	160	4,1
1 1/4" – DN 32	114	119	114	–	7,4	180	11	180	10,2	180	11,3
1 1/2" – DN 40	114	119	114	–	7,2	200	11,5	200	11	200	12,7
2" – DN 50	114	129	130	–	7,7	230	13,5	230	13	230	14,3



1/2" to 1" – DN 15 to 25



1 1/4" to 2" – DN 32 to 50

MATERIALS

POS. No.	DESIGNATION	DW40S		DW40SS	
		1/2" to 1" – DN 15 to 25	1 1/4" to 2" – DN 32 to 50	1/2" to 1" – DN 15 to 25	1 1/4" to 2" – DN 32 to 50
1	Body	P250GH / 1.0460	S355JR / 1.0045; P250GH / 1.0460	AISI 316 / 1.4401	AISI 316L / 1.4404
2	Cover	P250GH / 1.0460	S355JR / 1.0045	AISI 316L / 1.4404	AISI 316L / 1.4404
3	* Gasket	Stainless steel / Graphite	Stainless steel / Graphite	Stainless steel / Graphite	Stainless steel / Graphite
4	* Glass window	Borosilicate glass	Borosilicate glass	Borosilicate glass	Borosilicate glass
5	Bolt	–	Steel 8.8	–	Stainless steel A2-70

* Available spare parts.